



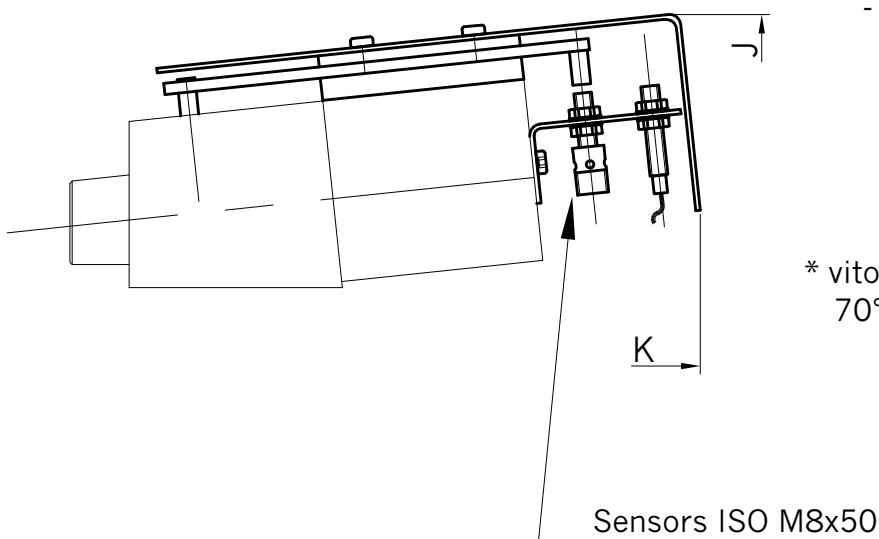
TBHI clamp

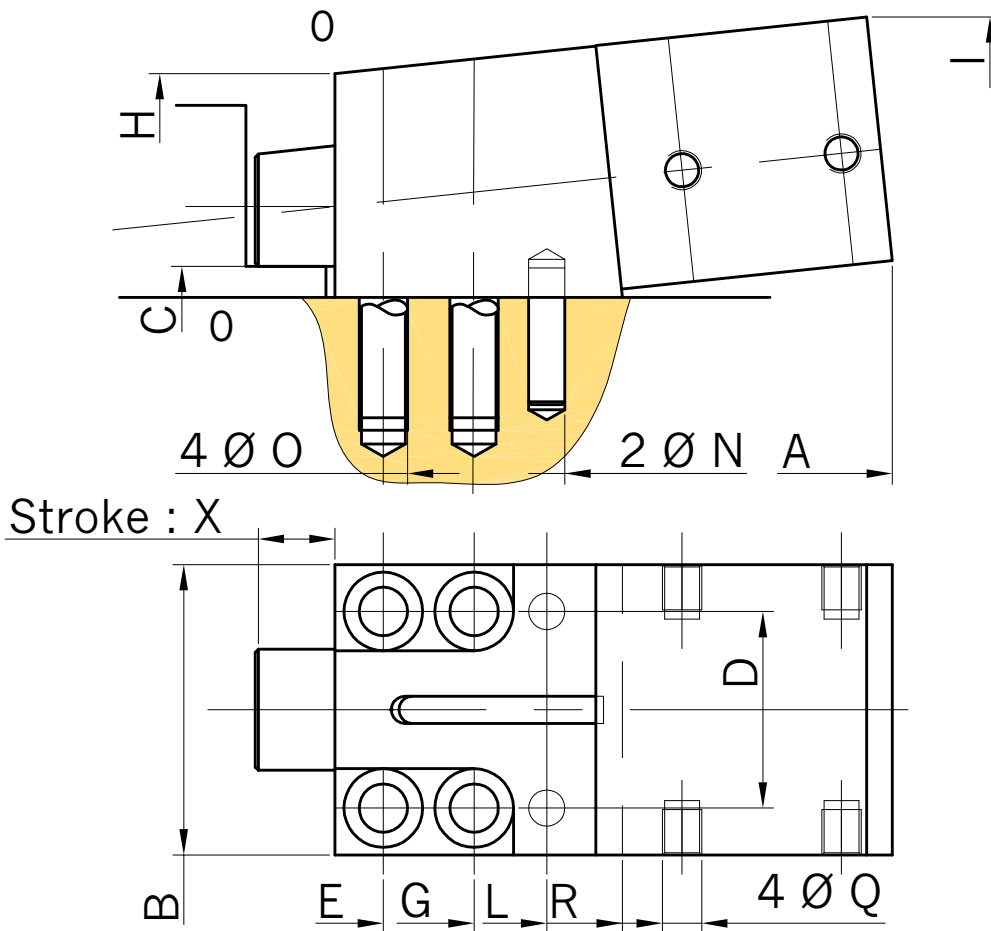
- The TBHI clamp is a double acting clamp for use on bolster or ram.
- Clamping and unclamping strength is given by hydraulic pressure.
- This clamp is unsuitable for applications in which the die is subject to shock due to jamming risks when opening clamp. Use TBHS model (refer to G080-03).

options :

- * mounting with sensors
 - the clamp can be fitted with 2 inductive sensors ISO M8x50 for position control.
 - standard sensors : XS1 M08DA210 Télémécanique.
 - other models on request.

- * viton seals for high temperature work $70^{\circ}\text{C} < T < 190^{\circ}\text{C}$.





Hydraulic port can also be UNF 7/16" for TBHI 15 & TBHI25 or UNF 9/16" for TBHI55 & TBHI100 .

	TBHI 15	TBHI 25	TBHI 55	TBHI 100
M (kg)	2.2	3.3	7.6	12
Vmax (cm ³)	7	10	31	45
F/R (l/mn)	0.5	0.85	1.75	2.5
P2 (bar)	160	160	160	160
Pn (bar)	70	70	70	70
F (kN)	15	25	55	100

	A	B	C	D	E	X	G	H	I	J	K	L	R	N	O	Q
TBHI 15	128	65	10	43	13	25	38	40	53	74	177	51	59	8	M10	1/8"
TBHI 25	128	72	10	50	13	25	38	49	62	80	177	51	59	8	M10	1/8"
TBHI 55	184	96	10	65	16	30	46	74	93	110	238	70	95	12	M16	1/4"
TBHI 100	200	118	14	84	19	30	58	88	107	132	255	85	106	12	M20	1/4"

ordering reference : TBHI XX or TBHI XX-DET for models with sensors
XX: strength in kN standards sensors : XS1M08DA210

If you need other models of sensors, please consult us first.