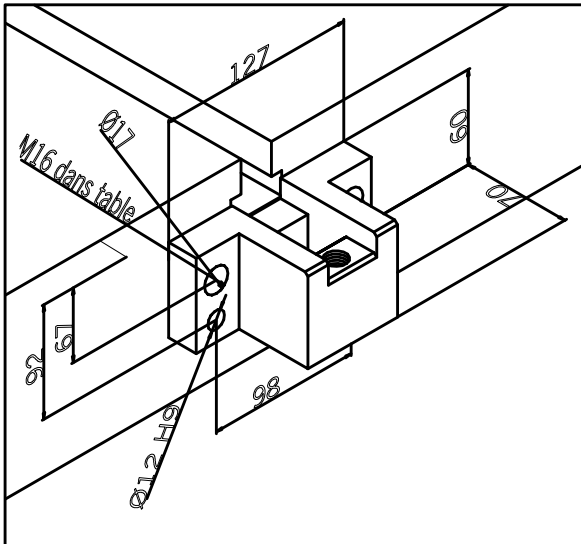
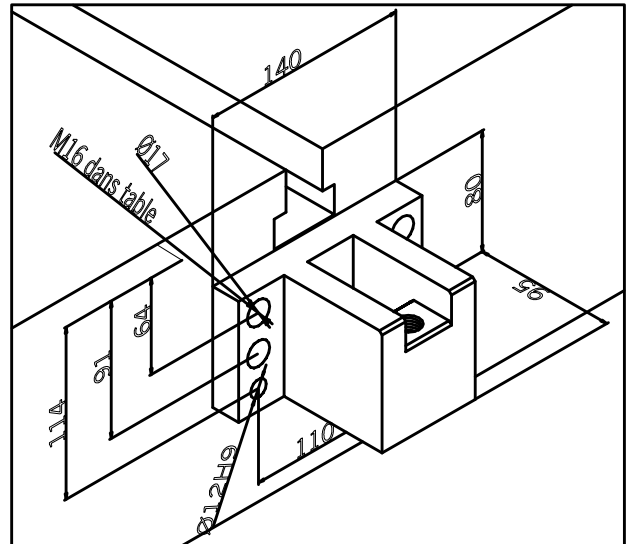


LINK CSL 1000 kg



LINK CSL 3000 kg



Type	P kg	L	A	H	ØD	N
CSL 1000	1000	500	560	170	30	9
CSL 3000	3000	800	880	320	40	14
	3000	1000	1080	460	40	16

The height and layout of the link blocks is designed to accommodate a DIN 650 T28 slot at the axis.

The dimensions for fixing the link blocks are shown from the raised height of the ball or roller bars, if fitted, or from the bolster surface if otherwise

P (kg) : Max rolling load for a pair of bolster extensions

ordering reference : CSL XXX-YYYY

XXX : strength in kN YYYY: length